

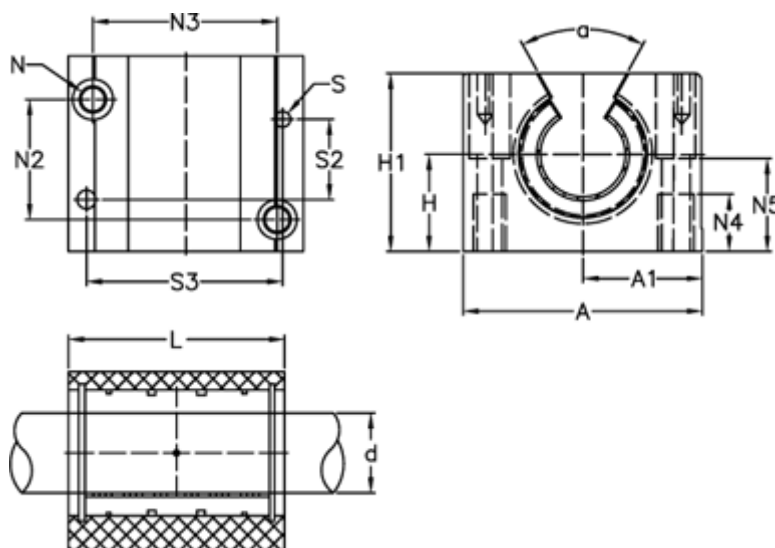
# Data Sheet



Article number: 50310123

Description: Open pillow block PMNC 12 E  
FM standard bearing included

## Measures



A = 43	N3 = 32.00
a = 66 degrees	N4 = 11
A1 = 22.0	N5 = 17.0
H = 18	S = 4
H1 = 28	S2 = 32
L = 39	S3 = 34
N = M5 x 0,8	Static load (kg) = 403
N2 = 23.00	Weight (kg) = 0.000